

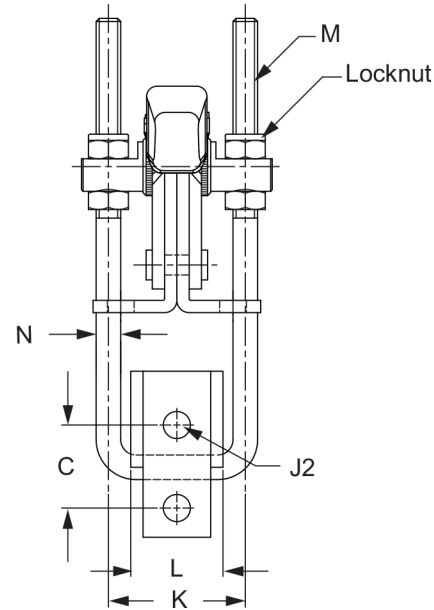
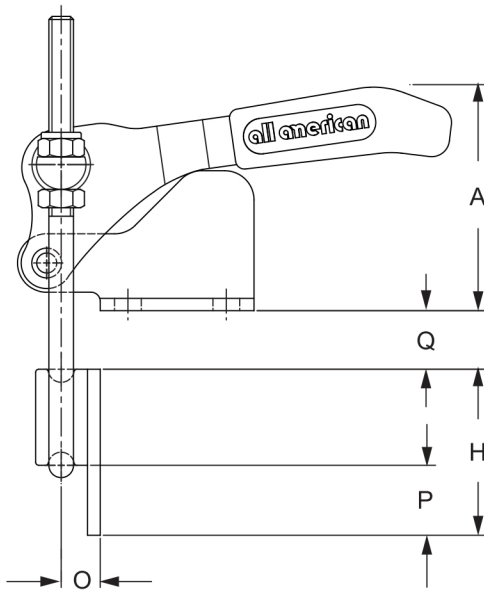
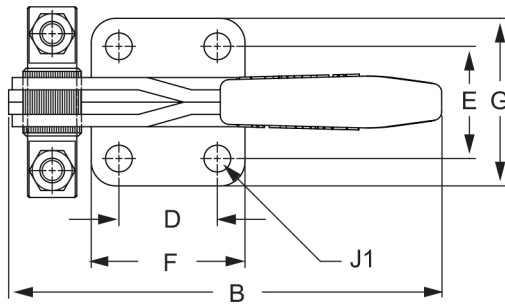
LATCH TYPE PULL ACTION CLAMPS

Another type of fastening clamp, this model comes with a latch plate. This model comes in three different styles. Latch plate is supplied with this model. Stainless steel version is also available.



Holding capacity: 500 lbs. Maximum on AFA130
1000 lbs. Maximum on AFA230
2000 lbs. maximum on AFA330

Drawing movement: 1.50 on AFA130
2.00 on AFA230
2.50 on AFA330



SERIES AFA130, AFA230, AFA330

P/N	TYPE	A	B	C	D	E	F	G	H	J1	J2	K	L	M	N	O	P	Q-MIN	Q-MAX
AFA130	FA	2.10	3.54	.56	.50	.87	1.00	1.38	1.00	.20	.17	.81	.51	M4 x .70P	.14	.19	.46	.48	.98
AFA130-2S	FA, 2S	2.10	3.54	.56	.50	.87	1.00	1.38	1.00	.20	.17	.81	.51	M4 x .70P	.14	.19	.46	.48	.98
AFA230	FA	2.65	4.76	.81	.75	1.00	1.32	1.57	1.50	.28	.21	1.10	.69	M6 x 1.00P	.23	.34	.69	.54	1.42
AFA230-2S	FA, 2S	2.65	4.76	.81	.75	1.00	1.32	1.57	1.50	.28	.21	1.10	.69	M6 x 1.00P	.23	.34	.69	.54	1.42
AFA330	FA	3.31	6.19	1.06	1.26	1.44	1.97	2.15	2.13	.34	.34	1.75	1.18	M8 x 1.25P	.31	.50	.90	.75	2.04
130001	*LATCH PLATE SUPPLIED FOR AFA130										-	-	-	-	-	-	-	-	-
130001-2S	*LATCH PLATE SUPPLIED FOR AFA130-2S										-	-	-	-	-	-	-	-	-
230001	*LATCH PLATE SUPPLIED FOR AFA230										-	-	-	-	-	-	-	-	-
230001-2S	*LATCH PLATE SUPPLIED FOR AFA230-2S										-	-	-	-	-	-	-	-	-
330001	*LATCH PLATE SUPPLIED FOR AFA330										-	-	-	-	-	-	-	-	-

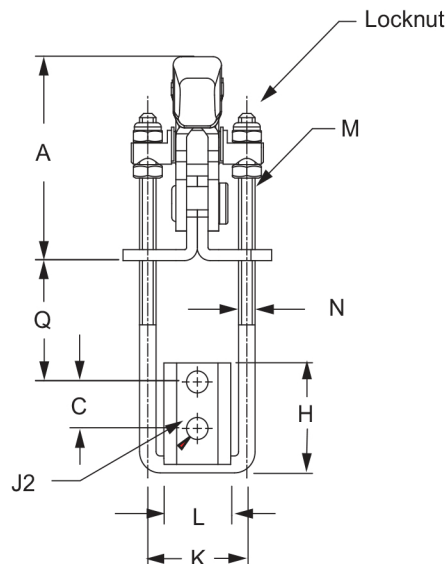
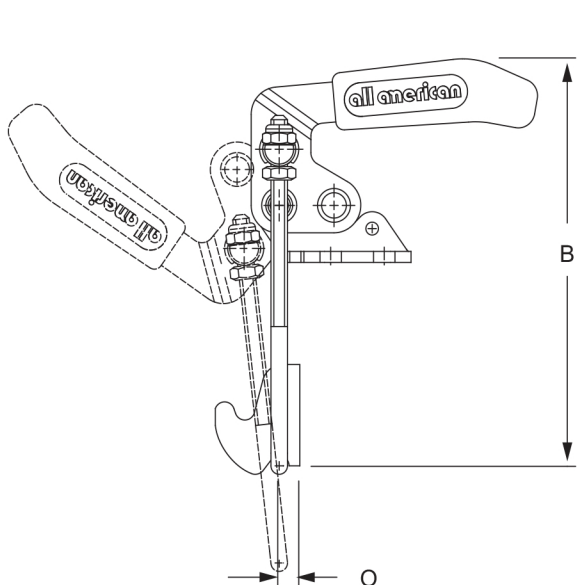
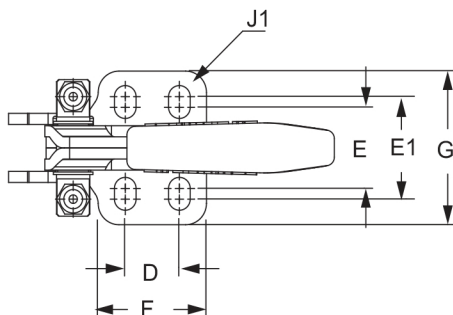
* - See accessories section for information on optional parts.

LATCH TYPE PULL ACTION CLAMPS

This model is similar to AFA130 but has a lighter holding capacity. This model comes in three different styles. Latch plate is supplied with this model. Stainless steel version is also available.

Holding capacity: 308 lbs. Maximum on AFA140
550 lbs. Maximum on AFA240
990 lbs. maximum on AFA340

Drawing movement: .91 on AFA140
1.10 on AFA240
1.42 on AFA340



SERIES AFA140, AFA240, AFA340

P/N	TYPE	A	B	C	D	E	E1	F	G	H	J1	J2	K	L	M	N	O	Q-MIN	Q-MAX
AFA140	FA	1.91	3.81	.43	.51	.75	.94	1.02	1.42	.94	.20 x .30	.20	.94	.64	M4 x .70P	.14	.20	.20	1.14
AFA140-2S	FA, 2S	1.91	3.81	.43	.51	.75	.94	1.02	1.42	.94	.20 x .30	.20	.94	.64	M4 x .70P	.14	.20	.20	1.14
AFA240	FA	2.80	5.02	.55	.75	.98	1.26	1.38	1.89	1.39	.26 x .39	.26	1.22	.69	M6 x 1.00P	.23	.26	.28	1.38
AFA240-2S	FA, 2S	2.80	5.02	.55	.75	.98	1.26	1.38	1.89	1.39	.26 x .39	.26	1.22	.69	M6 x 1.00P	.23	.26	.28	1.38
AFA340	FA	3.74	6.78	.75	1.26	1.42	1.77	2.00	2.56	1.57	.33 x .51	.33	1.65	1.10	M8 x 1.25P	.31	.31	.35	1.89
102001	*LATCH PLATE SUPPLIED FOR AFA140										-	-	-	-	-	-	-	-	-
102001-2S	*LATCH PLATE SUPPLIED FOR AFA140-2S										-	-	-	-	-	-	-	-	-
202001	*LATCH PLATE SUPPLIED FOR AFA240										-	-	-	-	-	-	-	-	-
202001-2S	*LATCH PLATE SUPPLIED FOR AFA240-2S										-	-	-	-	-	-	-	-	-
302001	*LATCH PLATE SUPPLIED FOR AFA340										-	-	-	-	-	-	-	-	-

* - See accessories section for information on optional parts.