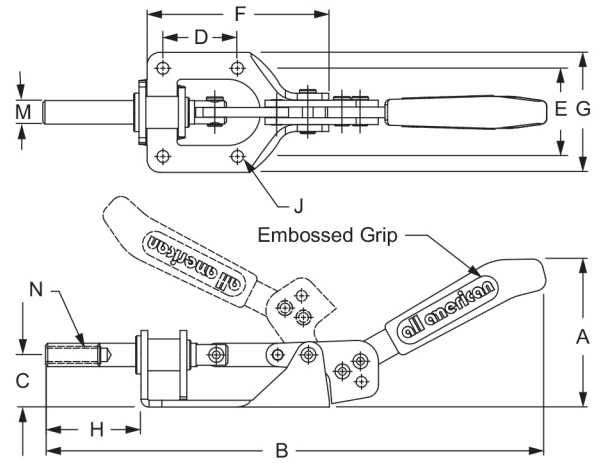


STRAIGHT LINE ACTION CLAMPS

This model is similar to model ASL150 but has reverse action on the handle. It also remains in the low profile family, and features a stamped base for economy. The handle configuration is improved to eliminate crimp points. The plunger is ground and oiled for precise fit and smooth in movement, and has a 5/16-18 tapped hole. This model accepts all 5/16-18 spindles. Spindles are to be ordered separately.

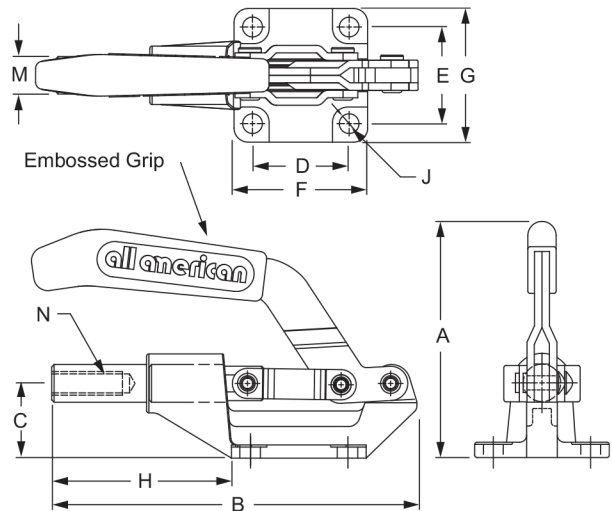
Holding capacity: 298 lbs. Maximum
Plunger travel: .97"



SERIES ASL160												
P/N	TYPE	A	B	C	D	E	F	G	H	J	M	N
ASL160	TA, RA	2.75	9.29	.97	1.37	1.63	3.50	2.22	1.77	.22	.43	5/16-18

This model is similar to model ASL100, but has a different handle configuration. It features a lost waxed base for strength and vibration damping properties. The base face is machined for flatness. This model offers excellent holding capacity while maintaining a low profile. The plunger locks in both the push and pull positions. The handle is improved to eliminate crimp points. The plunger is ground and oiled for precise fit and smoothness in movements and has a tapped hole. Spindles are to be ordered separately.

Holding capacity: 850 lbs. Maximum
Plunger travel: 1.63"



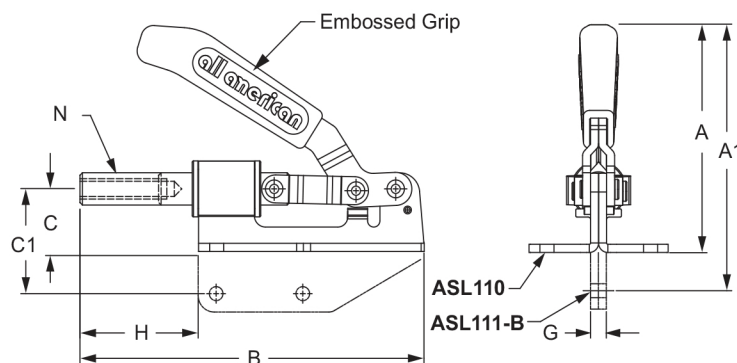
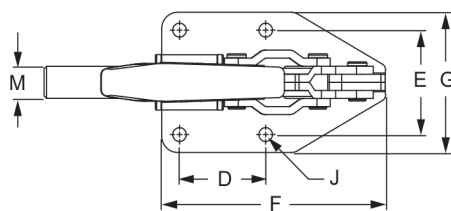
SERIES ASL210												
P/N	TYPE	A	B	C	D	E	F	G	H	J	M	N
ASL210	TA	3.82	6.09	1.25	1.63	1.63	2.25	2.25	3.00	.33	.63	3/8-16

AA TOGGLE CLAMPS

STRAIGHT LINE ACTION CLAMPS

This model features a base for economy. The handle locks in both the extended and the retracted position and has an embossed handle.

Holding capacity: 300 lbs. Maximum
Plunger travel: 1.25"
Handle opens: 180°

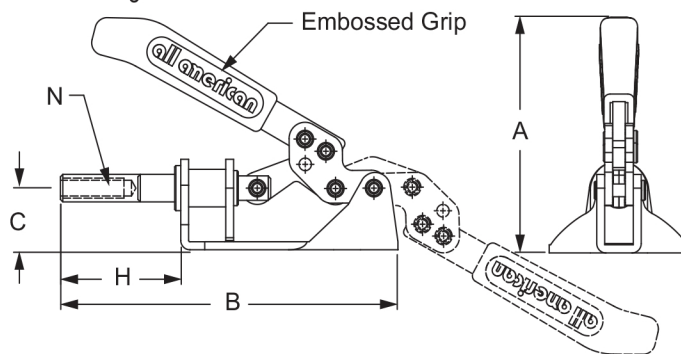
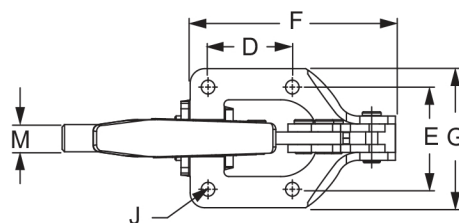


SERIES ASL110, ASL111-B

P/N	TYPE	A	A1	B	C	C1	D	E	F	G	H	J	M	N
ASL110	TA, FB	3.50	-	5.47	.97	-	1.38	1.63	3.59	2.19	1.88	.22	.50	5/16-18
ASL111-B	TA, SB	-	4.08	5.47	-	1.56	1.38	-	3.59	.25	1.88	.22	.50	5/16-18

This model remains in the low profile family, and features a stamped base for economy. The handle configuration is improved to eliminate crimp points. An embossed handle grip has been included. The plunger is ground and oiled for precise fit and smooth in movement, and has a 5/16-18 tapped hole. This model accepts all 5/16-18 spindles. Spindles are to be ordered separately.

Holding capacity: 300 lbs. Maximum
Plunger travel: 1.25"



SERIES ASL150

P/N	TYPE	A	B	C	D	E	F	G	H	J	M	N
ASL150	TA	3.65	5.44	.97	1.37	1.63	3.50	2.22	1.94	.22	.43	5/16-18