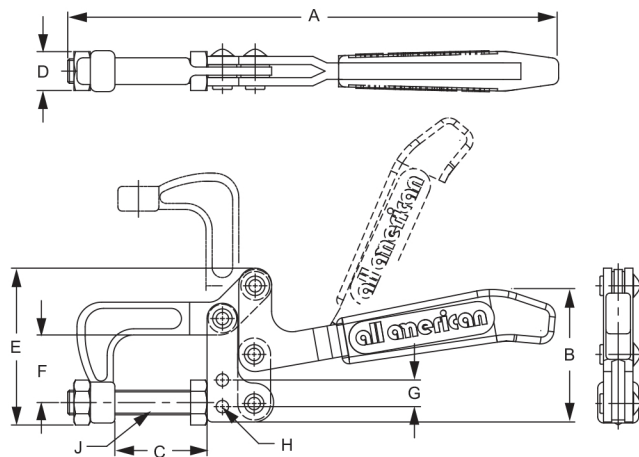


SQUEEZE ACTION CLAMPS

This model is designed to be attached by welding the front or top of the base to the work piece. The forged carbon steel jaw moves 90° to completely clear anything that needs to be held. The handle comes equipped with a red embossed handle for comfort. A hex head spindle is provided. A stainless steel version is available.

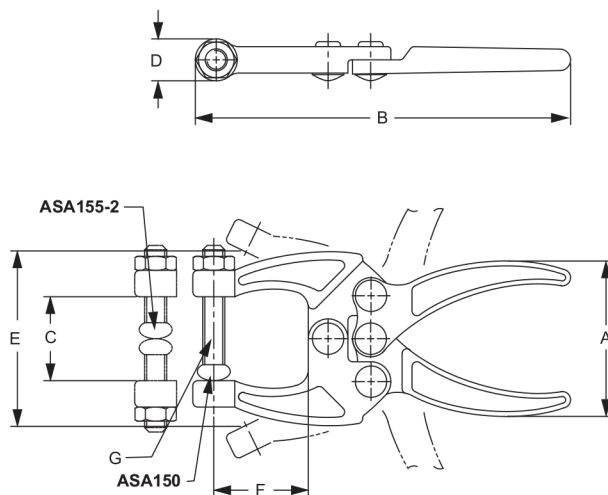
Spindle supplied: 113203
 Holding capacity: 880 lbs. Maximum
 Plunger travel: 90°
 Handle travel: 50°



| SERIES ASA2 | | | | | | | | | | |
|-------------|----------------|------|------|------|-----|------|------|-----|-----|--------|
| P/N | TYPE | A | B | C | D | E | F | G | H | J |
| ASA2 | SA, SP, HD, CH | 9.13 | 2.52 | 1.77 | .75 | 3.01 | 1.30 | .51 | .26 | 1/2-13 |

This model is the smallest in our forged steel squeeze action toggle plier line. They have a 1" clamping capacity. The handles have been lengthened for improved gripping and leverage. Accepts all 1/4-20 spindles. ASA150 comes with one spindle and ASA155-2 comes with two spindles.

Spindle supplied: 430208 - ASA150
 431208 - ASA155-2
 Holding capacity: 200 lbs. Maximum
 Clamping range: 1"

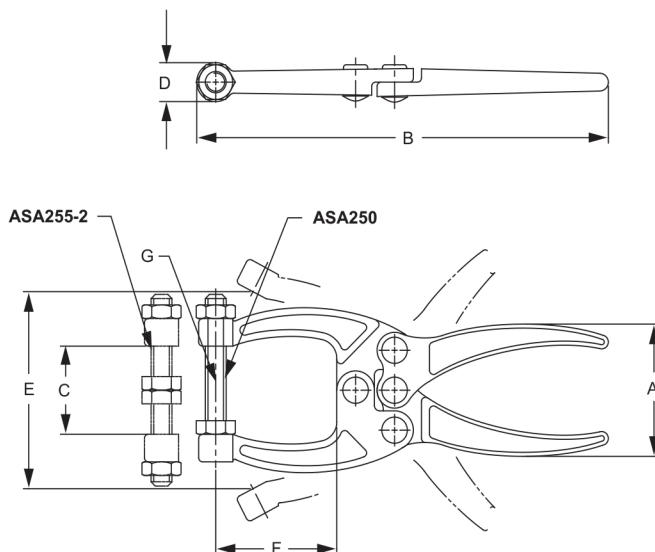


| SERIES ASA150 | | | | | | | | | |
|---------------|------------|------|------|------|-----|------|------|---|--------|
| P/N | TYPE | A | B | C | D | E | F | G | |
| ASA150 | SA, SP, CH | 1.94 | 4.47 | 1.00 | .50 | 2.06 | 1.13 | | 1/4-20 |
| ASA155-2 | SA, DP, CH | 1.94 | 4.47 | 1.00 | .50 | 2.06 | 1.13 | | 1/4-20 |

SQUEEZE ACTION CLAMPS

These toggle pliers offer medium holding and clamping capacity. Our pliers are made with a longer handle than some similar pliers on the market. They are available with vinyl covered handles for holding comfort. Accepts all 5/16-18 spindles. ASA250 comes with one spindle and ASA255-2 comes with two.

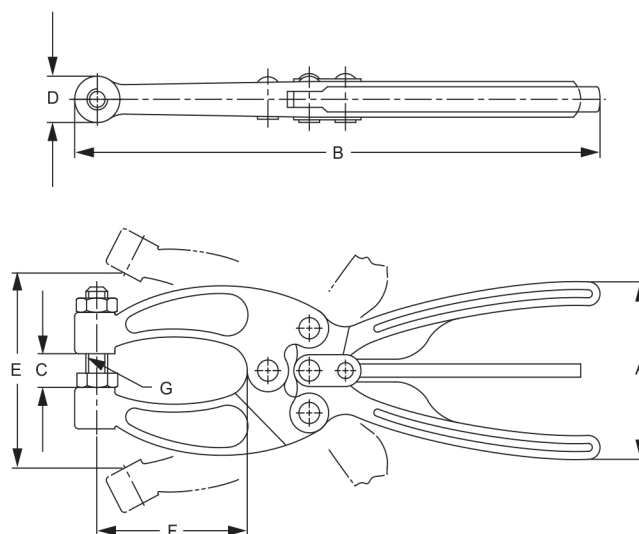
Spindle supplied: 518203 - ASA250
518125 - ASA255-2
Holding capacity: 350 lbs. Maximum
Clamping range: 1-1/4"



| SERIES ASA250 | | | | | | | | |
|---------------|------------|------|------|------|-----|------|------|---------|
| P/N | TYPE | A | B | C | D | E | F | G |
| ASA250 | SA, SP, CH | 1.87 | 6.00 | 1.25 | .50 | 2.80 | 1.77 | 5/16-18 |
| ASA255-2 | SA, DP, CH | 1.87 | 6.00 | 1.25 | .50 | 2.80 | 1.77 | 5/16-18 |

This model is compact sized and has narrow forged steel jaws for applications in confined areas. These pliers have fast open action with a two-way release lever. This model is supplied with a hex-head spindle assembly.

Spindle supplied: 518136
Holding capacity: 700 lbs. Maximum
Clamping range: 1/2"

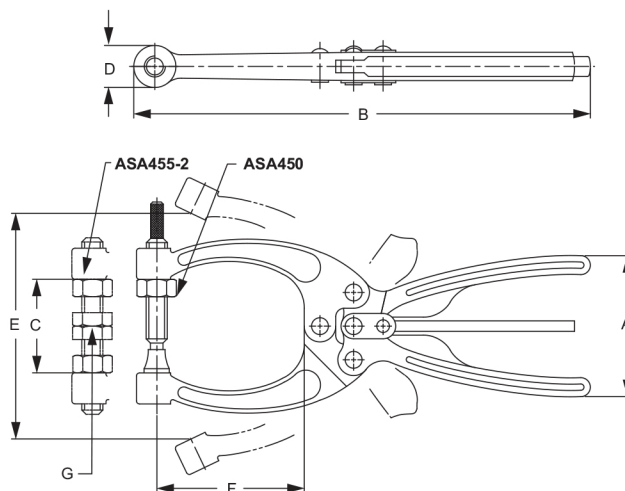


| SERIES ASA350 | | | | | | | | |
|---------------|------------|------|------|-----|-----|------|------|---------|
| P/N | TYPE | A | B | C | D | E | F | G |
| ASA350 | SA, SP, CH | 2.64 | 7.99 | .50 | .69 | 2.87 | 2.28 | 5/16-18 |

SQUEEZE ACTION CLAMPS

Versatile forged toggle pliers with 1-1/2" max. clamping range. The two-way trigger release is standard. Accepts all 3/8-16 spindles. ASA450 comes with a swivel foot assembly and ASA455-2 comes with two hex-head assemblies.

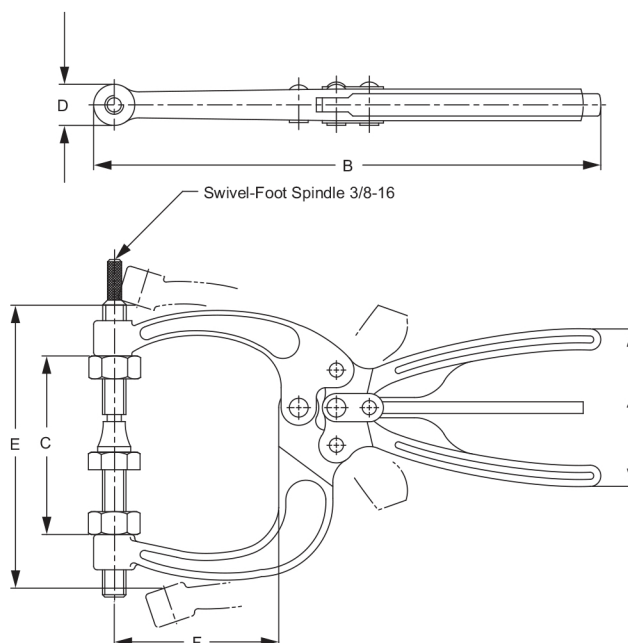
Spindle supplied: 316206 - ASA450
316125 - ASA455-2
Holding capacity: 700 lbs. Maximum
Clamping range: 1-3/4"



| SERIES ASA450 | | | | | | | | |
|---------------|------------|------|------|------|-----|------|------|--------|
| P/N | TYPE | A | B | C | D | E | F | G |
| ASA450 | SA, SP, CH | 2.64 | 8.50 | 1.75 | .69 | 4.25 | 2.76 | 3/8-16 |
| ASA455-2 | SA, DP, CH | 2.64 | 8.50 | 1.75 | .69 | 4.25 | 2.76 | 3/8-16 |

These pliers are similar to the ASA450 models, except have a much wider jaw opening (3"). The two-way trigger release is standard. Accepts all 3/8-16 spindles. Dual spindles are provided for centralizing the work relative to the jaws.

Spindle supplied: 316206 & 316203
Holding capacity: 700 lbs. Maximum
Clamping range: 3" Maximum



| SERIES ASA550 | | | | | | | | |
|---------------|------------|------|------|------|-----|------|------|--------|
| P/N | TYPE | A | B | C | D | E | F | G |
| ASA550 | SA, DP, SH | 2.64 | 8.50 | 2.99 | .69 | 4.75 | 2.76 | 3/8-16 |