

SERRATA GROOVE - TYPE SG

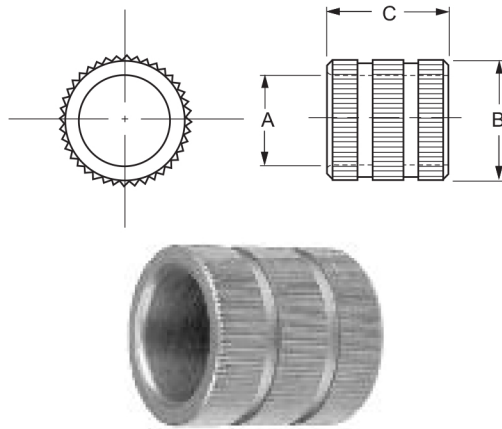
The type SG bushing, Serrata Groove, features a special serration which allows the bushing to be easily pressed into a jig made of plastic or other soft material. It offers excellent holding strength.

When ordering specify:

Example:

Quantity	Bushing Type	I.D.(A)	O.D.(B)	Length(C)
6	SG	5/16	5/8	3/4

Or: 6 SG-40-12



A I.D. RANGE DRILL SIZE DIGITAL RANGE	B O.D. TOLERANCE NOMINAL ACTUAL	C	ANSI SYMBOL	PRICE CODE
5/16 - 7/16 (.3125 - .4375) 7.90 - 11.00mm	5/8 .650 .635	3/8	SG-40-6	101
		1/2	SG-40-8	101
		3/4	SG-40-12	103
		1	SG-40-16	104
		1-3/8	SG-40-22	110
5/16 - 17/32 (.3125 - .5312) 8.00 - 13.00mm	3/4 .775 .760	3/8	SG-48-6	101
		1/2	SG-48-8	101
		3/4	SG-48-12	103
		1	SG-48-16	104
		1-3/8	SG-48-22	114
1/2 - 21/32 (.5000 - .6562) 13.00 - 16.50mm	7/8 .900 .885	3/8	SG-56-6	113
		1/2	SG-56-8	109
		3/4	SG-56-12	110
		1	SG-56-16	112
		1-3/8	SG-56-22	114
1/2 - 49/64 (.5000 - .7656) 13.00 - 19.00mm	1 1.035 1.010	1/2	SG-64-8	110
		3/4	SG-64-12	110
		1	SG-64-16	113
		1-3/8	SG-64-22	115
		1-1/2	SG-64-24	119

* Counterbored leaving correct drill bearing length and chip clearance.

SERRATA GROOVE - TYPE SG				
All Grooves are 1.8" Wide.				
A I.D. RANGE DRILL SIZE DIGITAL RANGE	B O.D. TOLERANCE NOMINAL ACTUAL	C	ANSI SYMBOL	PRICE CODE
#55-#39 (.0520 - .0995) 1.35 - 2.50mm	13/64 .223 .213	1/4	SG-13-4	118
		5/16	SG-13-5	121
		3/8	SG-13-6	124
		1/2	SG-13-8	125
#40 9/64 (.0980 - .1406) 2.50 - 3.50mm	1/4 .275 .260	1/4	SG-16-4	107
		5/16	SG-16-5	108
		3/8	SG-16-6	110
		1/2	SG-16-8	112
		*3/4	SG-16-12	119
1/8 - #10 (.1250 - .1935) 3.20 - 4.90mm	5/16 .337 .322	1/4	SG-20-4	101
		5/16	SG-20-5	103
		3/8	SG-20-6	104
		1/2	SG-20-8	105
		3/4	SG-20-12	110
		*1	SG-20-16	115
5/32 - F (.1562 - .2570) 4.00 - 6.50mm	13/32 .431 .416	1/4	SG-26-4	101
		5/16	SG-26-5	101
		3/8	SG-26-6	102
		1/2	SG-26-8	103
		3/4	SG-26-12	105
		*1	SG-26-16	110
5/32 - 0 (.1562 - .3160) 4.00 - 8.00mm	1/2 .525 .510	5/16	SG-32-5	101
		3/8	SG-32-6	102
		1/2	SG-32-8	103
		3/4	SG-32-12	105
		1	SG-32-16	110