

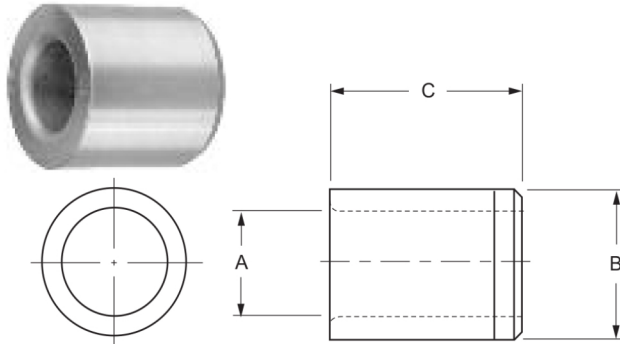
LINER - TYPE L

When ordering specify:

Example:

Quantity	Bushing Type	I.D.(A)	O.D.(B)	Length(C)
6	L	5/16	1/2	3/4

Or: 6 L-32-12*



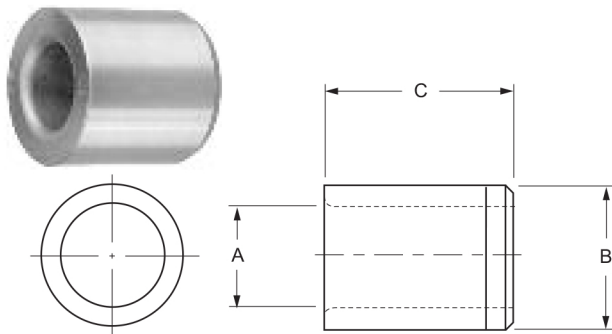
A I.D. RANGE Drill Size Decimal Range	B O.D. TOLERANCE Nominal		C	ANSI SYMBOL ‡	PRICE CODE
	GROUND	UNGROUND DIGITAL RANGE			
3/16 (.1876 - .1879)	5/16 .3141 .3138	.327 .322	1/4	L-20-4	110
			5/16	L-20-5	112
			3/8	L-20-6	113
			1/2	L-20-8	114
			5/8	L-20-10	115
			3/4	L-20-12	117
1/4 (.2501 - .2504)	7/16 .4392 .4389	.453 .448	1/4	L-28-4	105
			5/16	L-28-5	106
			3/8	L-28-6	109
			1/2	L-28-8	110
			5/8	L-28-10	112
			3/4	L-28-12	113
5/16 (.3126 - .3129)	1/2 .5017 .5014	.518 .513	1/4	L-32-4	105
			5/16	L-32-5	106
			3/8	L-32-6	109
			1/2	L-32-8	110
			5/8	L-32-10	112
			3/4	L-32-12	113
			1	L-32-16	118
			1-3/8	L-32-22	125
5/16 (.3126 - .3129)	9/16 .5642 .5639	.580 .575	1/4	L-36-4	110
			5/16	L-36-5	105
			3/8	L-36-6	107
			1/2	L-36-8	107
			5/8	L-36-10	109
			3/4	L-36-12	110
3/8 (.3751 - .3754)	5/8 .6267 .6264	.643 .638	1/4	L-40-4	110
			5/16	L-40-5	105
			3/8	L-40-6	107
			1/2	L-40-8	107
			5/8	L-40-10	109
			3/4	L-40-12	110
1 (1.0004 - 1.0007)	1-3/8 1.3772 1.3768	1.395 1.388	1/4	L-40-4	110
			5/16	L-40-5	105
			3/8	L-40-6	107
			1/2	L-40-8	107
			5/8	L-40-10	109
			3/4	L-40-12	110

A I.D. RANGE Drill Size Decimal Range	B O.D. TOLERANCE Nominal		C	ANSI SYMBOL ‡	PRICE CODE
	GROUND	UNGROUND DIGITAL RANGE			
7/16 (.4377 - .4380)	5/8 .6267 .6264	.643 .638	1/4	L-40-4	110
			5/16	L-40-5	105
			3/8	L-40-6	107
			1/2	L-40-8	107
			5/8	L-40-10	109
			3/4	L-40-12	110
			1	L-40-16	112
			1-3/8	L-40-22	125
1/2 (.5002 - .5005)	3/4 .7518 .7515	.768 .763	5/16	L-48-5	106
			3/8	L-48-6	110
			1/2	L-48-8	110
			3/4	L-48-12	112
			1	L-48-16	114
			1-3/8	L-48-22	125
			1-1/2	L-48-24	128
			1-3/4	L-48-28	132
9/16 (.5627 - .5630)	7/8 .8768 .8765	.893 .888	5/16	L-56-5	119
			3/8	L-56-6	121
			1/2	L-56-8	115
			5/8	L-56-10	117
			3/4	L-56-12	117
			1	L-56-16	119
			1-1/4	L-56-20	124
			1-3/4	L-56-28	132
5/8 (.6252 - .6255)	7/8 .8768 .8765	.893 .888	5/16	L-56-5	119
			3/8	L-56-6	121
			1/2	L-56-8	115
			5/8	L-56-10	117
			3/4	L-56-12	117
			1	L-56-16	119
			1-1/4	L-56-20	124
			1-3/4	L-56-28	132
3/4 (.7503 - .7506)	1 1.0018 1.0015	1.018 1.013	1/2	L-64-8	117
			3/4	L-64-12	117
			1	L-64-16	120
			1-3/8	L-64-22	124
			1-1/2	L-64-24	130
			1-3/4	L-64-28	135
			2-1/8	L-64-34	141
			2-1/2	L-64-40	151
			3	L-64-48	199
			1-1/4	L-64-20	124
7/8 (.8754 - .8757)	1-1/4 1.2520 1.2517	1.268 1.263	1/2	L-80-8	140
			5/8	L-80-10	136
			3/4	L-80-12	131
			1	L-80-16	140
			1-1/4	L-80-20	148
			1-1/2	L-80-24	152
1 (1.0004 - 1.0007)	1-3/8 1.3772 1.3768	1.395 1.388	1/2	L-88-8	141
			3/4	L-88-12	131
			1	L-88-16	141
			1-3/8	L-88-22	149
			1-1/2	L-88-24	153
			1-3/4	L-88-28	161
			2-1/8	L-88-34	174
			2-1/2	L-88-40	185
			3	L-88-48	222

* On 5/8 O.D. specify the I.D. size

‡ All bushings are finish ground unless the letter "U" appears with the bushing type or the ANSI symbol.

LINER - TYPE L



NOTE: For drill sizes, see the chart on page 1.6 in the information section.

‡ All bushings are finish ground unless the letter "U" appears with the bushing type or the ANSI symbol.

A I.D. RANGE Drill Size Decimal Range	B O.D. TOLERANCE Nominal		C	ANSI SYMBOL ‡	PRICE CODE
	GROUND	UNGROUND			
	DIGITAL RANGE				
1-3/8 (1.3756 - 1.3760)	1-3/4 1.7523 1.7519	1.770 1.765	3/4	L-112-12	156
			1	L-112-16	149
			1-3/8	L-112-22	156
			1-1/2	L-112-24	163
			1-3/4	L-112-28	166
			2-1/8	L-112-34	182
			2-1/2	L-112-40	193
			3	L-112-48	240
1-3/4 (1.7508 - 1.7512)	2-1/4 2.2525 2.2521	2.270 2.265	3/4	L-144-12	178
			1	L-144-16	167
			1-3/8	L-144-22	178
			1-1/2	L-144-24	183
			1-3/4	L-144-28	187
			2-1/8	L-144-34	204
			2-1/2	L-144-40	216
			3	L-144-48	253
2-1/4 (2.2510 - 2.2515)	2-3/4 2.7526 2.7522	2.770 2.765	3/4	L-176-12	188
			1	L-176-16	178
			1-3/8	L-176-22	189
			1-1/2	L-176-24	194
			1-3/4	L-176-28	201
			2-1/8	L-176-34	212
			2-1/2	L-176-40	225
			3	L-176-48	255



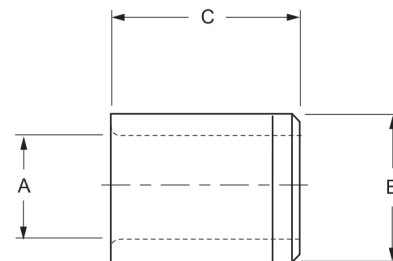
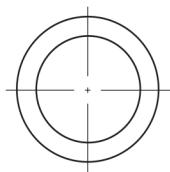
EXTENDED RANGE LINER - TYPE L

When ordering specify:

Example:

Quantity	Bushing Type	I.D.(A)	O.D.(B)	Length(C)
6	L	2-3/4	3-3/8	3-3/4

Or: 6 L-216-60



I.D. RANGE (A)	NOM.	2"	2-1/2	2-3/4	3"	3-1/4	3-3/8	3-1/2	3-3/4	4"	4-1/4	4-3/8	4-1/2	4-3/4	5"
	DEC. RANGE	2.0010 2.0015	2.5010 2.5015	2.7510 2.7515	3.0010 3.0015	3.2510 3.2515	3.3760 3.3765	3.5010 3.5015	3.7510 3.7515	4.0010 4.0015	4.2510 4.2515	4.3760 4.3765	4.5010 4.5015	4.7510 4.7515	5.0010 5.0015
O.D. RANGE (B)‡	NOM.	2-1/2	3"	3-3/8	3-5/8	3-7/8	4"	4-1/8	4-1/2	4-3/4	5"	5-1/8	5-1/4	5-1/2	5-3/4
	DEC. RANGE	2.5025 2.5021	3.0028 3.0023	3.3778 3.3773	3.6278 3.6273	3.8778 3.8773	4.0028 4.0023	4.1280 4.1275	4.5030 4.5025	4.7530 4.7525	5.0030 5.0025	5.1280 5.1275	5.2530 5.2525	5.5030 5.5025	5.7530 5.7525
LENGTH (C)	ANSI CODE	160	192	216	232	248	256	264	288	304	320	328	336	352	368
3/4	12	301	339	356	364	366	369	373	*	*	*	*	*	*	*
1	16	301	340	359	367	371	373	377	*	*	*	*	*	*	*
1-1/4	20	302	343	360	371	376	378	382	*	*	*	*	*	*	*
1-1/2	24	304	345	363	374	378	383	387	*	*	*	*	*	*	*
1-3/4	28	305	348	367	379	381	389	393	*	*	*	*	*	*	*
2	32	307	351	370	382	388	395	396	*	*	*	*	*	*	*
2-1/8	34	309	353	372	-	-	-	-	-	-	-	-	-	-	-
2-1/4	36	312	356	376	383	395	402	405	*	*	*	*	*	*	*
2-1/2	40	315	360	380	391	399	407	411	*	*	*	*	*	*	*
2-3/4	44	329	365	383	397	406	414	419	*	*	*	*	*	*	*
3	48	337	370	387	403	412	421	425	*	*	*	*	*	*	*
3-1/4	52	345	373	390	408	420	428	433	*	*	*	*	*	*	*
3-1/2	56	347	378	395	414	425	437	441	*	*	*	*	*	*	*
3-3/4	60	350	380	398	421	432	445	450	*	*	*	*	*	*	*
4	64	353	384	404	427	439	452	457	*	*	*	*	*	*	*
4-1/4	68	356	388	406	435	447	458	463	*	*	*	*	*	*	*
4-1/2	72	360	393	410	442	453	462	471	*	*	*	*	*	*	*
4-3/4	76	364	398	416	450	459	468	478	*	*	*	*	*	*	*
5	80	366	404	421	458	466	474	486	*	*	*	*	*	*	*
5-1/2	88	-	-	-	-	-	497	505	*	*	*	*	*	*	*
6	96	-	-	-	-	-	-	-	*	*	*	*	*	*	*
6-1/2	104	-	-	-	-	-	-	-	-	*	*	*	*	*	*
7	112	-	-	-	-	-	-	-	-	-	-	*	*	*	*

Unground O.D.'s are .015 / .020 oversized

NOTE: All bushings are finish ground unless the letter "U" appears with the bushing type or ANSI symbol.

All extended range bushings are considered special orders and are non-returnable.

*- Priced upon request