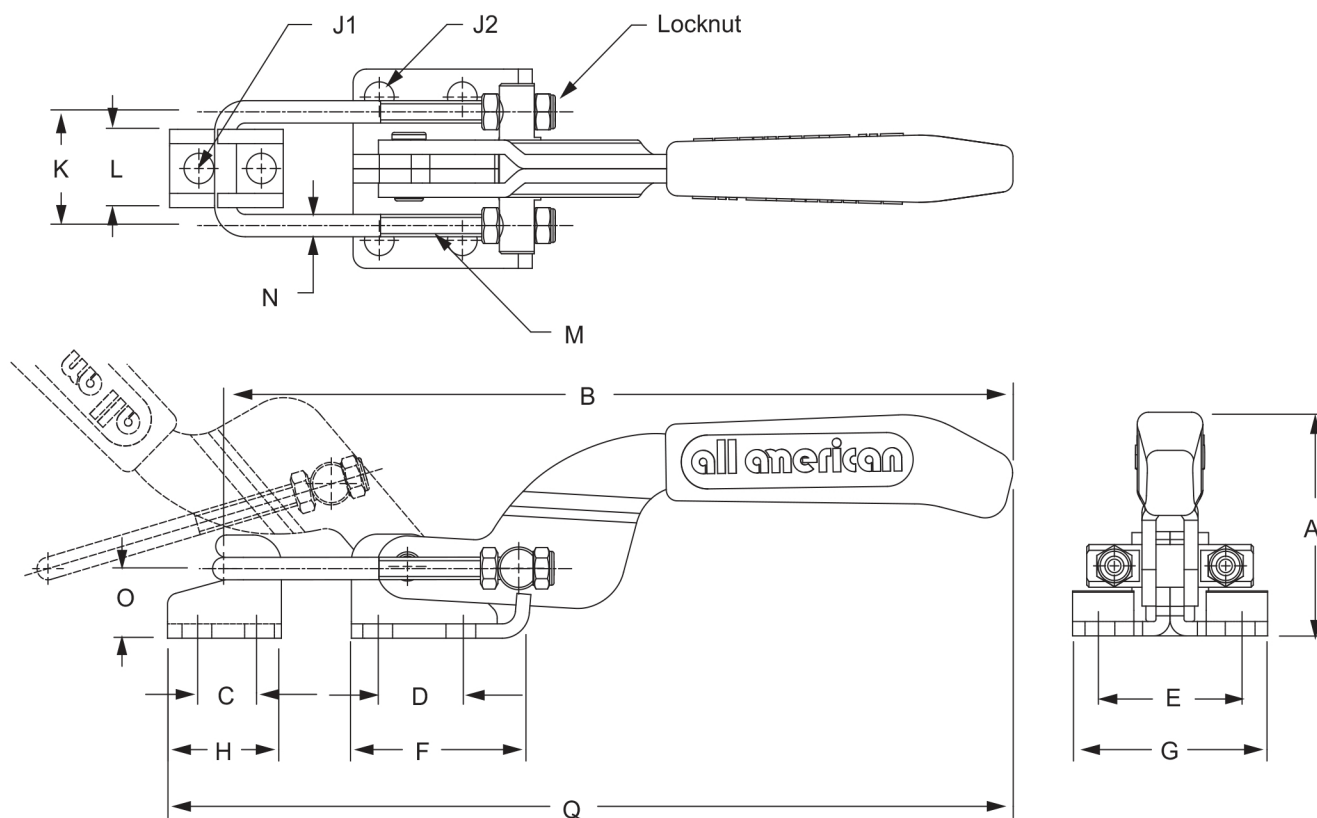


# LATCH TYPE PULL ACTION CLAMPS

The threaded u-bolt allows 1-3/8" of easy latch adjustment and helps to achieve the maximum holding force. A latch plate is supplied with this model.

Holding capacity: 352 lbs. Maximum on AFA100  
700 lbs. Maximum on AFA-200  
2000 lbs. maximum on AFA300

Drawing movement: 1.14 on AFA100  
1.58 on AFA200  
2.48 on AFA300



## SERIES AFA100, AFA200, AFA300

P/N	TYPE	A	B	C	D	E	F	G	H	J1	J2	K	L	M	N	O	Q-MIN	Q-MAX
AFA100	FA	1.14	3.98	.39	.63	.75	1.02	1.09	.79	.17	.17	.75	.51	M4x.70P	.14	.47	3.78	4.27
AFA100-2S	FA, 2S	1.14	3.98	.39	.63	.75	1.02	1.09	.79	.17	.17	.75	.51	M4x.70P	.14	.47	3.78	4.27
AFA200	FA	1.96	7.09	.56	.75	1.26	1.61	1.75	1.02	.27	.27	1.00	.69	M5x.80P	.19	.63	5.69	6.28
AFA200-2S	FA, 2S	1.96	7.09	.56	.75	1.26	1.61	1.75	1.02	.27	.27	1.00	.69	M5x.80P	.19	.63	5.69	6.28
AFA300	FA	2.88	9.19	.75	1.63	1.50	2.38	2.13	1.50	.33	.33	1.75	1.19	M8x1.25P	.31	.92	8.31	9.06
AFA300-2S	FA, 2S	2.88	9.19	.75	1.63	1.50	2.38	2.13	1.50	.33	.33	1.75	1.19	M8x1.25P	.31	.92	8.31	9.06
100001	*LATCH PLATE SUPPLIED FOR AFA100									-	-	-	-	-	-	-	-	-
100001-2S	*LATCH PLATE SUPPLIED FOR AFA100-2S									-	-	-	-	-	-	-	-	-
200001	*LATCH PLATE SUPPLIED FOR AFA200									-	-	-	-	-	-	-	-	-
200001-2S	*LATCH PLATE SUPPLIED FOR AFA200-2S									-	-	-	-	-	-	-	-	-
300001	*LATCH PLATE SUPPLIED FOR AFA300									-	-	-	-	-	-	-	-	-
300001-2S	*LATCH PLATE SUPPLIED FOR AFA300-2S									-	-	-	-	-	-	-	-	-

\* - See accessories section for information on optional and supplied parts.

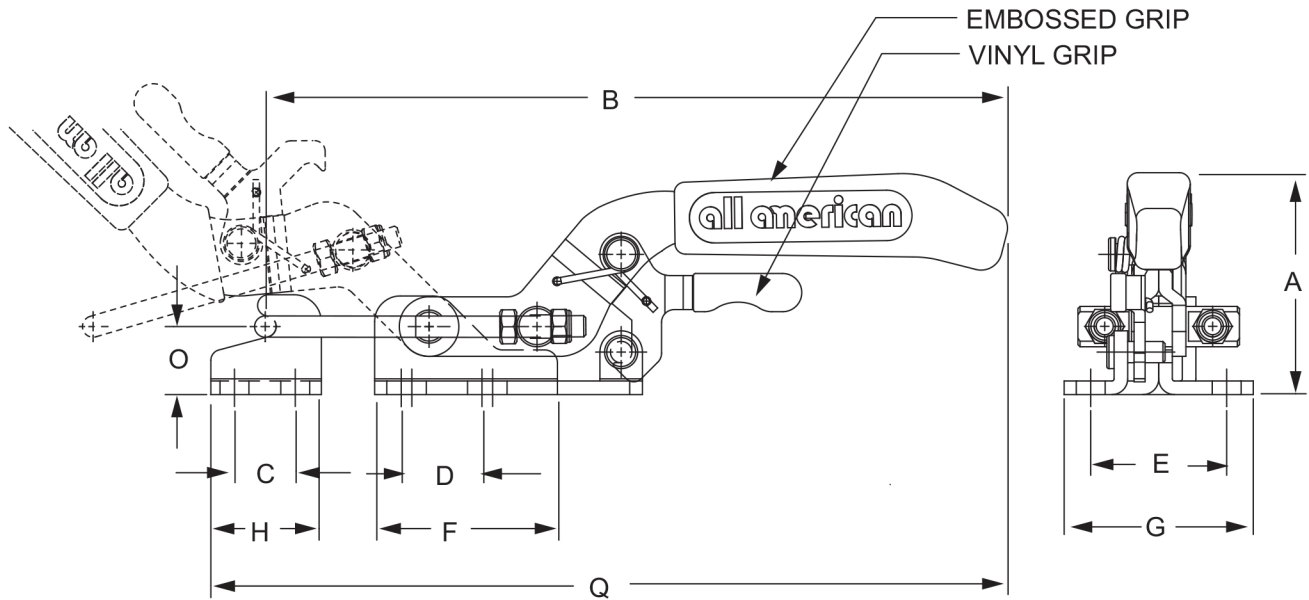
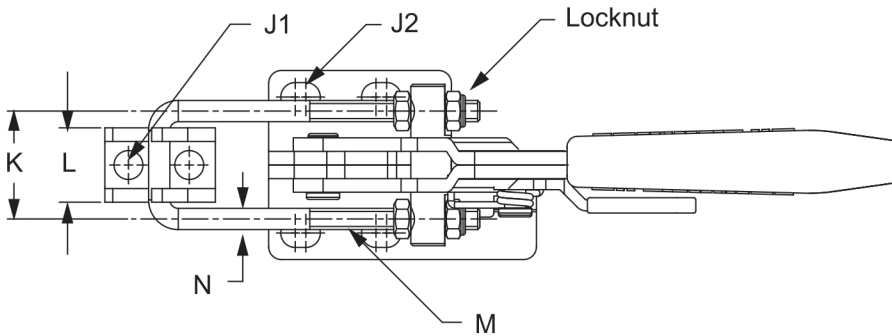
# LATCH TYPE PULL ACTION CLAMPS

This latch type clamp is similar to model AFA200 AND AFA300 but has the addition of a release lock to hold the clamp in place. The threaded u-bolt allows 1-3/8" of easy latch adjustment and helps to achieve the maximum holding force. A Latch plate is supplied with this model.

**RELEASE-LOCK**



Holding capacity: 700 lbs. Maximum on AFA-200  
2000 lbs. maximum on AFA300  
Drawing movement: 1.58 on AFA200  
2.48 on AFA300



**SERIES AFA200-RL, AFA300-RL**

P/N	TYPE	A	B	C	D	E	F	G	H	J1	J2	K	L	M	N	O	Q-MIN	Q-MAX
AFA200-RL	FA, RL	1.96	7.09	.56	.75	1.26	1.61	1.75	1.02	.27	.27x.37	1.00	.69	M5x.80P	.19	.63	5.69	6.28
AFA300-RL	FA, RL	2.88	9.19	.75	1.63	1.50	2.38	2.13	1.50	.33	.33	1.75	1.19	M8x1.25P	.31	.92	8.31	9.06
200001	*LATCH PLATE SUPPLIED FOR AFA200-RL																	
300001	*LATCH PLATE SUPPLIED FOR AFA300-RL																	

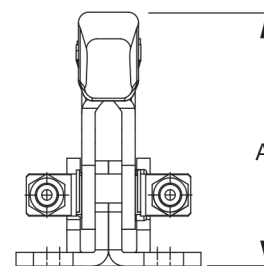
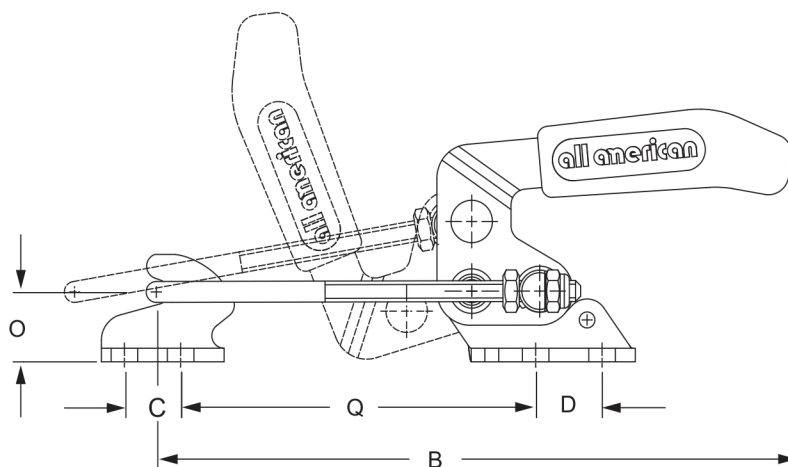
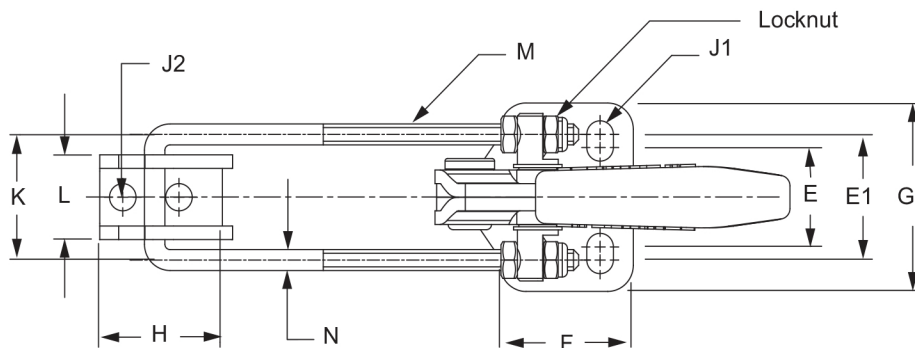
\* - See accessories section for information on optional and supplied parts.

# LATCH TYPE PULL ACTION CLAMPS

This model is similar to AFA100 but with a different handle style. This model comes in three different styles. Latch plate is supplied with this model. Stainless steel version is also available.

Holding capacity: 308 lbs. Maximum on AFA102  
550 lbs. Maximum on AFA-202  
990 lbs. maximum on AFA-302

Drawing movement: .63 on AFA-102  
.94 on AFA-202  
1.26 on AFA-302



## SERIES AFA102, AFA202, AFA302

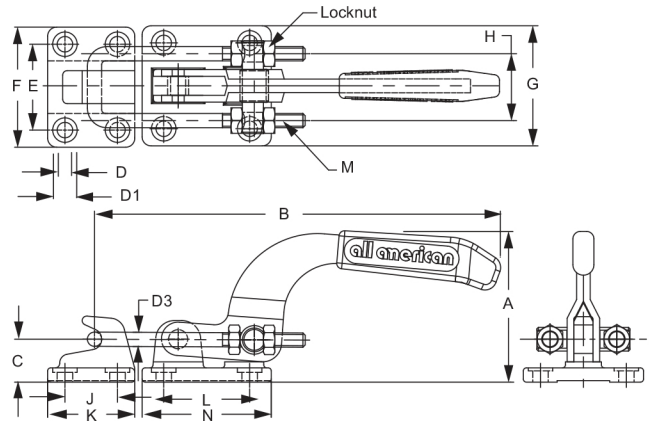
P/N	TYPE	A	B	C	D	E	E1	F	G	H	J1	J2	K	L	M	N	O	Q-MIN	Q-MAX
AFA102	FA	1.91	5.11	.43	.51	.75	.94	1.02	1.42	1.02	.20 x .30	.20	.94	.64	M4x.70P	.14	.47	1.50	2.76
AFA102-2S	FA, 2S	1.91	5.11	.43	.51	.75	.94	1.02	1.42	1.02	.20 x .30	.20	.94	.64	M4x.70P	.14	.47	1.50	2.76
AFA202	FA	2.73	6.89	.55	.75	.98	1.26	1.38	1.89	1.39	.26 x .39	.26	1.22	.69	M6x1.00P	.23	.75	1.89	3.54
AFA202-2S	FA, 2S	2.73	6.89	.55	.75	.98	1.26	1.38	1.89	1.39	.26 x .39	.26	1.22	.69	M6x1.00P	.23	.75	1.89	3.54
AFA302	FA	3.74	9.19	.75	1.26	1.42	1.77	2.00	2.56	1.57	.33 x .51	.33	1.65	1.10	M8 x 1.25P	.31	.98	2.56	4.72
102001	*LATCH PLATE SUPPLIED FOR AFA102										-	-	-	-	-	-	-	-	-
102001-2S	*LATCH PLATE SUPPLIED FOR AFA102-2S										-	-	-	-	-	-	-	-	-
202001	*LATCH PLATE SUPPLIED FOR AFA202										-	-	-	-	-	-	-	-	-
202001-2S	*LATCH PLATE SUPPLIED FOR AFA202-2S										-	-	-	-	-	-	-	-	-
302001	*LATCH PLATE SUPPLIED FOR AFA302										-	-	-	-	-	-	-	-	-

\* - See accessories section for information on optional parts.

# LATCH TYPE PULL ACTION CLAMPS

This is a heavy duty model with a lost waxed base for extra strength. The optional latch plate is also made of cast steel and can be ordered separately. An embossed grip is provided for handle comfort.

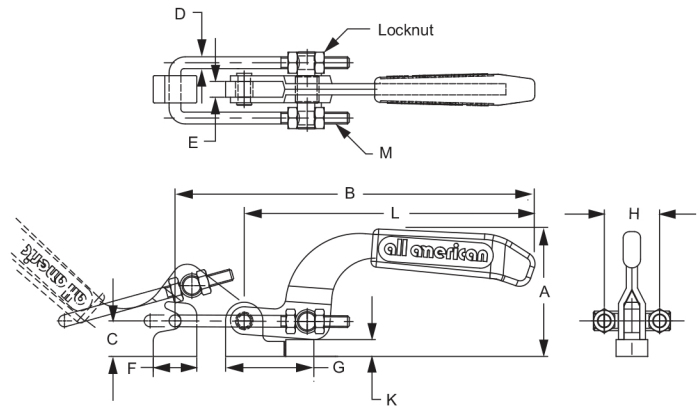
Holding capacity: 4,000 lbs. Maximum  
Drawing Movement: 3.50



SERIES AFA600																
P/N	TYPE	A	B	C	D	D1	D3	E	F	G	H	J	K	L	M	N
AFA600	FA, FB	3.95	11.28	1.13	.41	.64	.39	2.25	3.15	3.15	1.75	1.38	2.28	2.25	3/8-16	3.38
600001	*OPTIONAL LATCH PLATE										-	-	-	-	-	-

This is a heavy duty model has a small footprint for space constrained applications. The supplied latch plate can be ordered separately. An embossed grip is provided for handle comfort.

Holding capacity: 4,000 lbs. Maximum  
Drawing Movement: 3.50



AFA601-B												
P/N	TYPE	A	B	C	D	E	F	G	H	K	L	M
AFA601-B	FA, SB	3.95	11.28	1.13	.39	.50	1.38	2.80	1.75	.53	8.33	3/8 - 16

\* - See accessories section for information on optional and supplied parts.