

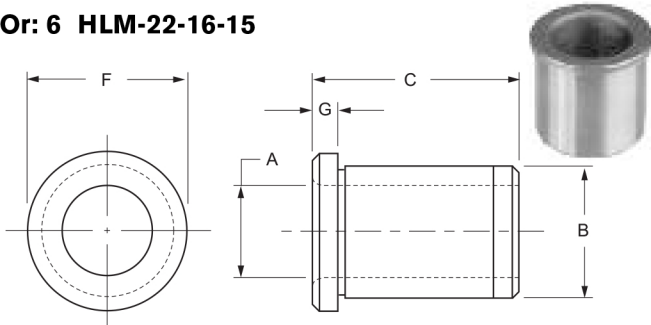
METRIC HEAD LINER - TYPE HLM

When ordering specify:

Example:

Quantity	Bushing Type	I.D.(A)	O.D.(B)	Length(C)
6	HLM	15	22	16

Or: 6 HLM-22-16-15



ANSI METRIC HEAD LINERS HEAD DIMENSIONS

BODY O.D. B	HEAD DIMENSION				
	F	G	BODY O.D. B	F	G
12	15	3	55	59	5
15	18	3	62	66	6
18	22	4	70	74	6
22	26	4	78	82	6
26	30	4	85	90	6
30	34	5	95	100	6
35	39	5	105	110	6
42	46	5	115	120	6
48	52	5	125	130	6

A I.D. RANGE	B OUTSIDE DIMENSION	C	ANSI SYMBOL	PRICE CODE
8 8.005-8.014	12 12.039 -12.028	10	HLM-12-10-8	125
		16	HLM-12-16-8	129
10 10.005-10.014	15 15.039 -15.028	12	HLM-15-12-10	121
		20	HLM-15-20-10	129
		25	HLM-15-25-10	130
12 12.006-12.017	18 18.039 -18.028	12	HLM-18-12-12	125
		20	HLM-18-20-12	129
		25	HLM-18-25-12	133
15 15.006-15.017	22 22.048 -22.035	16	HLM-22-16-15	136
		28	HLM-22-28-15	145
		36	HLM-22-36-15	151
18 18.006-18.017	26 26.048 -26.035	16	HLM-26-16-18	136
		28	HLM-26-28-18	141
		36	HLM-26-36-18	156
		45	HLM-26-45-18	163
22 22.007-22.020	30 30.048 -30.035	20	HLM-30-20-22	163
		36	HLM-30-36-22	189
		45	HLM-30-45-22	196
26 26.007-26.020	35 35.059 -35.043	20	HLM-35-20-26	164
		36	HLM-35-36-26	190
		45	HLM-35-45-26	198
30 30.007-30.020	42 42.059 -42.043	25	HLM-42-25-30	191
		45	HLM-42-45-30	198
		56	HLM-42-56-30	243
35 35.009-35.025	48 42.059 -42.043	25	HLM-48-25-35	191
		45	HLM-48-45-35	216
		56	HLM-48-56-35	242
42 42.009-42.025	55 55.072 -55.053	30	HLM-55-30-42	236
		56	HLM-55-56-42	262
		67	HLM-55-67-42	350
48 48.009-48.025	62 62.072 -62.053	30	HLM-62-30-48	249
		56	HLM-62-56-48	267
		67	HLM-62-67-48	358
55 55.010-55.029	70 70.078 -70.059	30	HLM-70-30-55	353
		56	HLM-70-56-55	369
		67	HLM-70-67-55	377
62 62.010-62.029	78 78.078 -78.059	35	HLM-78-35-62	365
		67	HLM-78-67-62	386
		78	HLM-78-78-62	392
70 70.010-70.029	85 85.093 -85.071	35	HLM-85-35-70	403
		67	HLM-85-67-70	443
		78	HLM-85-78-70	453

A I.D. RANGE	B OUTSIDE DIMENSION	C	ANSI SYMBOL	PRICE CODE
78 78.010-78.029	95 95.093 -95.071	40	HLM-95-40-78	415
		78	HLM-95-78-78	461
		105	HLM-95-105-78	507
85 85.010-85.029	105 105.101 -105.079	40	HLM-105-40-85	429
		78	HLM-105-78-85	473
		105	HLM-105-105-85	517
95 95.010-95.029	115 115.101 -115.079	45	HLM-115-45-95	449
		89	HLM-115-89-95	503
		112	HLM-115-112-95	543
105 105.010-105.029	125 125.117 -125.092	45	HLM-125-45-112	473
		89	HLM-125-89-112	530
		112	HLM-125-112-112	566

LENGTH FOR METRIC HEAD LINERS IS OVERALL LENGTH.