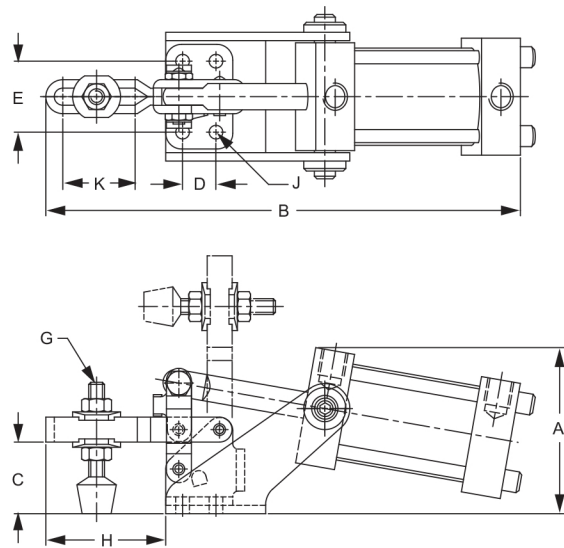


AIR CLAMPS

This model is the smallest hold down air clamp that can be used to increase productivity. The U-bar allows the spindle position to be adjustable. The clamping action on this model is operated by air cylinder instead of by hand. Supplied with spindle assembly and two flange washers. For a model with a magnetic switch, add "SWT" to the name example, **AAC250-SWT**.

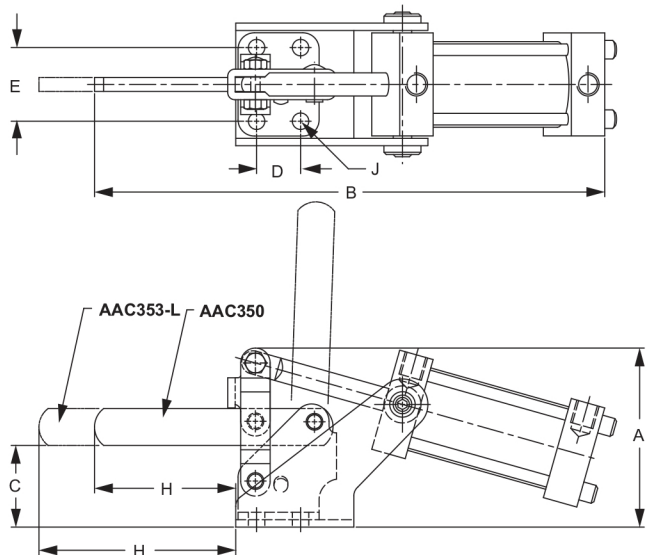
Spindle supplied: 240208
Holding capacity: 200 lbs.
Bar moves: 90°
Port size: 1/8 NPT



SERIES AAC250										
P/N	TYPE	A	B	C	D	E	G	H	J	K
AAC250	AC, U	2.48	7.11	1.06	.50	1.06	1/4-20	1.73	.20	1.08

This model is a medium size hold down air clamp which comes in either a standard length solid bar or a long solid bar. Supplied with a bolt retainer and spindle assembly. For a model with a magnetic switch, add "SWT" to the name example, **AAC350-SWT**.

Spindle supplied: 518208
Holding capacity: 496 lbs. Maximum on AAC350
245 lbs. Maximum on AAC353-L
Bar moves: 92°
Port size: 1/8 NPT

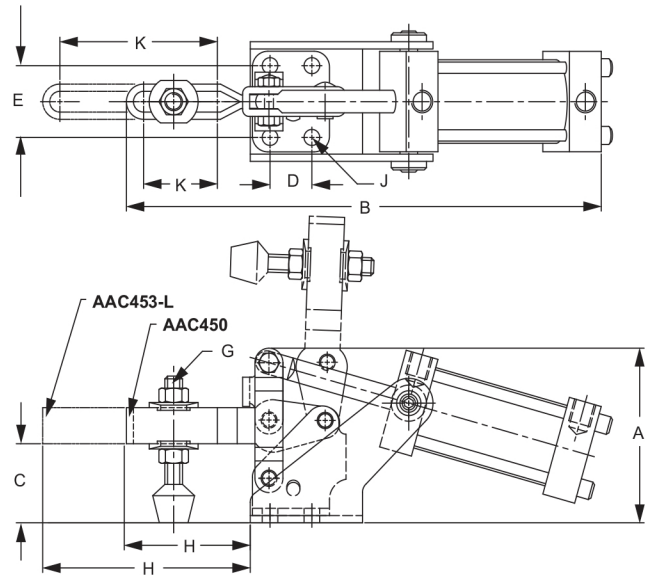


SERIES AAC350, AAC353-L										
P/N	TYPE	A	B	C	D	E	H	J	SPINDLE	
AAC350	AC, S	3.04	8.66	1.38	.75	1.25	2.40	.28	5/16-18	
AAC353-L	AC, S, L	3.04	9.62	1.38	.75	1.25	3.35	.28	5/16-18	

This model is similar to model AAC350 but has an u-bar. A standard length and a long length u-bar is available. The clamping action on these models are operated by air cylinder instead of by hand. Supplied with spindle assembly and two flanged washers.

For a model with a magnetic switch, add "SWT" to the name example, **AAC450-SWT**.

Spindle supplied: 518208
 Holding capacity: 496 lbs. Maximum on AAC450
 220 lbs. Maximum on AAC453-L
 Bar moves: 92°
 Port size: 1/8 NPT

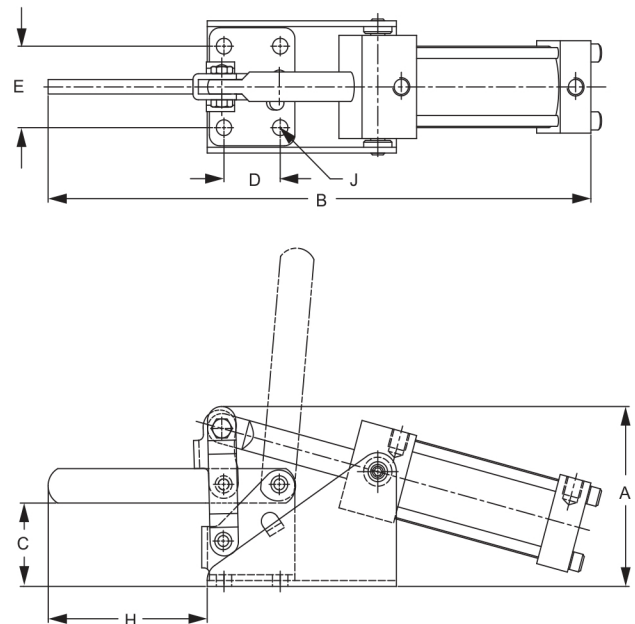


SERIES AAC450, AAC453-L										
P/N	TYPE	A	B	C	D	E	G	H	J	K
AAC450	AC, U	3.05	8.49	1.38	.75	1.25	5/16-18	2.21	.28	1.32
AAC453-L	AC, U, L	3.05	9.98	1.38	.75	1.25	5/16-18	3.71	.28	2.81

This model is a large size hold down air clamp which comes in with a long solid bar. Supplied with a bolt retainer and spindle assembly.

For a model with a magnetic switch, add "SWT" to the name example, **AAC550-SWT**.

Spindle supplied: 316208
 Holding capacity: 750 lbs. Maximum
 Bar moves: 95°
 Port size: 1/8 NPT

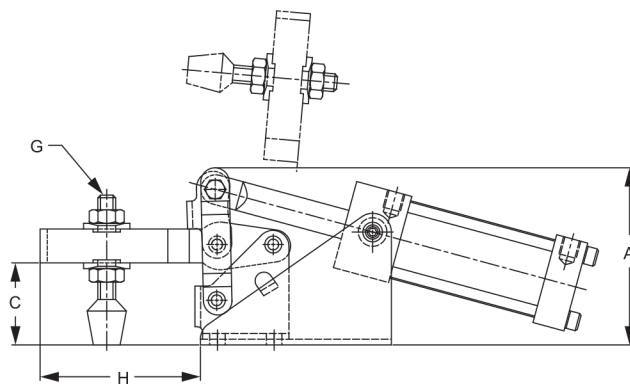
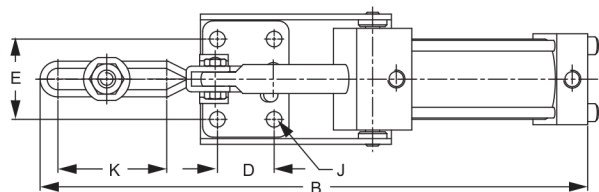


SERIES AAC550									
P/N	TYPE	A	B	C	D	E	H	J	SPINDLE
AAC550	AC, S, L	3.82	12.09	1.81	1.25	1.77	3.54	.34	3/8-16

AIR CLAMPS

This model is similar to model AAC550 but with an u-bar that allows the spindle position to be adjusted. Supplied with spindle assembly and two flange washers. For a model with a magnetic switch, add "SWT" to the name example, **AAC650-SWT**.

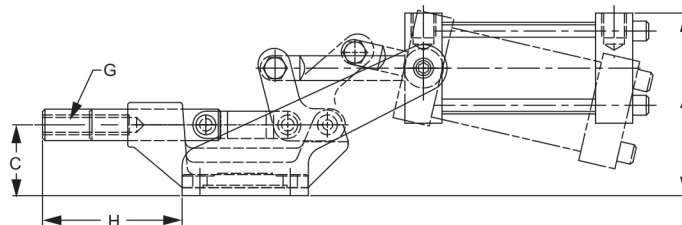
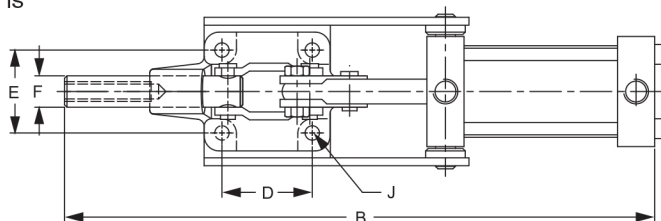
Spindle supplied: 316208
 Holding capacity: 600 lbs. Maximum
 Bar moves: 95°
 Port size: 1/8 NPT



SERIES AAC650										
P/N	TYPE	A	B	C	D	E	G	H	J	K
AAC650	AC, U	3.82	12.09	1.81	1.25	1.77	3/8-16	3.54	.34	2.40

This model is the smallest size of straight line action air clamp. Although similar to model ASL100, the action is controlled by an air cylinder and not by hand. For a model with a magnetic switch, add "SWT" to the name example, **AAC100-SL-SWT**.

Holding capacity: 600 lbs. Maximum
 Plunger travel: .75
 Port size: 1/8 NPT

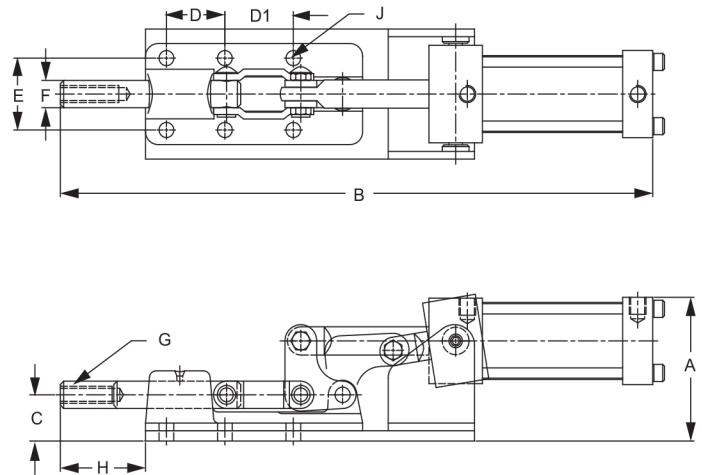
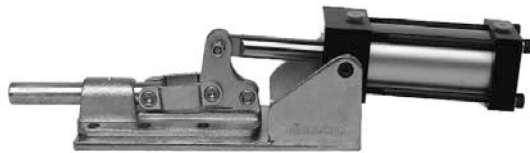


SERIES AAC100-SL										
P/N	TYPE	A	B	C	D	E	F	G	H	J
AAC100-SL	AC, TA	2.90	9.39	1.13	1.44	1.32	.50	5/16-18	2.22	.23

AA TOGGLE CLAMPS

This model is a large size of straight line action air clamp. Although similar to model ASL350, the action is controlled by an air cylinder and not by hand. For a model with a magnetic switch, add "SWT" to the name example, **AAC350-SL-SWT**.

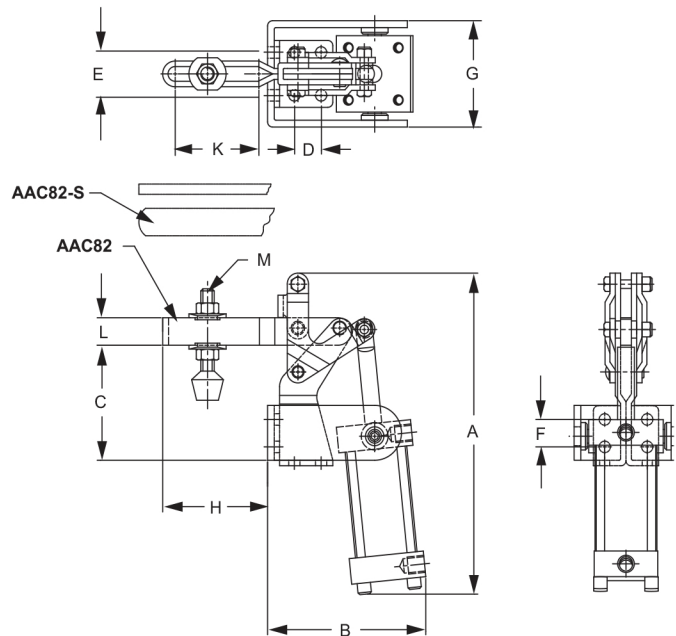
Holding capacity: 2400 lbs. Maximum
 Plunger travel: 1.26
 Port size: 1/8 NPT



SERIES AAC350-SL											
P/N	TYPE	A	B	C	D	D1	E	F	G	H	J
AAC350-SL	AC, TA	3.31	13.96	1.06	1.38	1.61	1.65	.63	3/8-16	2.00	.35

This air clamp is similar to ANO82, the action is controlled by an air cylinder and not by hand. It has two mounting areas, horizontal and vertical surfaces. The u-bar version is furnished with two flanged washers and spindle assemblies. The solid bar version is supplied with a bolt retainer and a spindle assembly. For a model with a magnetic switch, add "SWT" to the name example, **AAC82-SWT**.

Spindle supplied: 518208
 Holding capacity: 351 lbs. Maximum
 Bar moves: 90°
 Port size: 1/8 NPT



SERIES AAC82, AAC82-S												
P/N	TYPE	A	B	C	D	E	F	G	H	J	K	M
AAC82	AC, U	7.37	3.72	2.64	.63	1.00	.63	2.47	2.45	.26	1.97	5/16-18
AAC82-S	AC, S	7.37	3.72	264	.63	1.00	.63	2.47	2.45	.26	-	5/16-18